

# MR. GOODBAR<sup>®</sup>

## The Original Home Security Bars

DIAGRAM A: **INSIDE SLIDER**

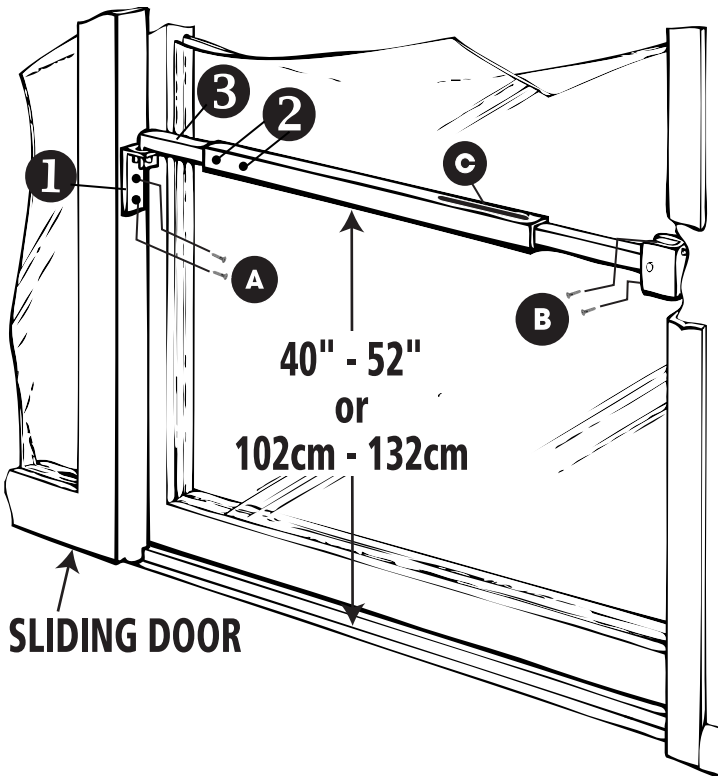
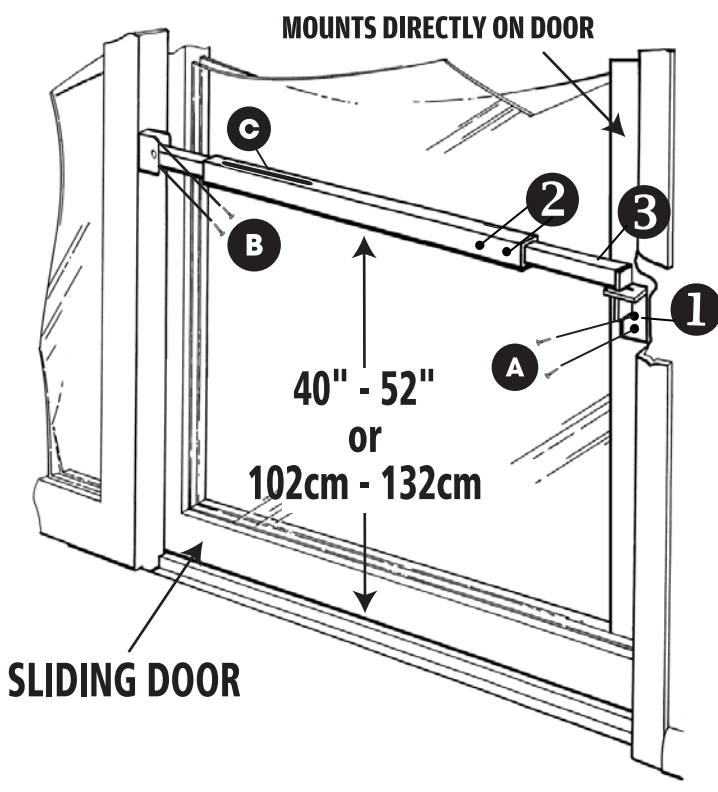


DIAGRAM B: **OUTSIDE SLIDER**



### PATIO DOOR BAR HELPFUL HINTS

- CAUTION must be used when drilling.
  - Drill bit **MUST NOT** touch glass or glass will shatter.
  - Screws **MUST NOT** touch glass or glass will shatter.
- Patio door bar must be mounted indoors.
- Patio door must be fully closed and locked during installation.
- The following minimum installation height will ensure proper operation:
  - For a 5' or 6' (152 or 183 cm) patio door you need: **40" (102 cm) from floor**
  - For a 8' (244 cm) patio door you need: **52" (132 cm) from floor**
- Please follow appropriate instructions for your type of door (**inside or outside slider**).

### TOOLS REQUIRED

- 1/8" drill bit
- Robertson (square head) screw driver #2 & #3
- Pencil
- Tape Measure

### PATIO DOOR LOCKING SYSTEM DIAGRAM:

- A** 1/2" (13mm) Robertson (square head) self-taping screws (total 6)
- B** 1 3/4" (45mm) Robertson (square head) screws (total 2)
- C** Carriage Bolt (total 2)
- 1** Mounting Bracket
- 2** Positioning Holes
- 3** Positioning Channel

# MR. GOODBAR®

## The Original Home Security Bars



**01.** Fully extend Patio Door Bar and insert Carriage Bolt into threaded hole in slot.

**02a. INSIDE SLIDER** (refer to Diagram A):

Position Patio Door bar onto door frame at the suggested minimum height.

- Mark position for screws
- Fasten with two 1 3/4" screws
- Pre-drill holes with a 1/8" drill bit

**02b. OUTSIDE SLIDER** (refer to Diagram B):

Position Patio Door Bar onto door at suggested minimum height. Ensure that your intended installation height does not interfere with the existing latching mechanism.

- Mark position for screws
- Using **EXTREME CAUTION**: pre-drill holes with a 1/8" drill bit (do not pre-drill into wooden framed doors)
- Fasten with two 1/2" screws

**Please note:** Before installing the Patio Door Bar onto an Outside Slider, confirm that there is enough space on the sliding door frame for the Mounting Bracket to be attached. If there is not enough room, the door frame may have to be modified.



**03.** Insert Positioning Channel into Mounting Bracket.

**04.** Ensure Patio Door Bar is level and mark position for screws in Mounting Bracket.



**05.** Using Extreme Caution, pre drill holes with 1/8" drill bit (Do not pre-drill into wooden framed doors).

- Fasten with two 1/2" screws ensuring drill bit does not touch glass.

**Please note:**

This step is crucial - make sure the bar is positioned to your satisfaction before you drill.



**06.** Make sure the Patio Door Bar is closed and in the fully extended position, drill the 1/2" self-tapping screws through the exposed Positioning Holes and into Positioning Channel. (Pre drill with 1/8" drill bit if necessary)